

S-5![®]
The Right Way!



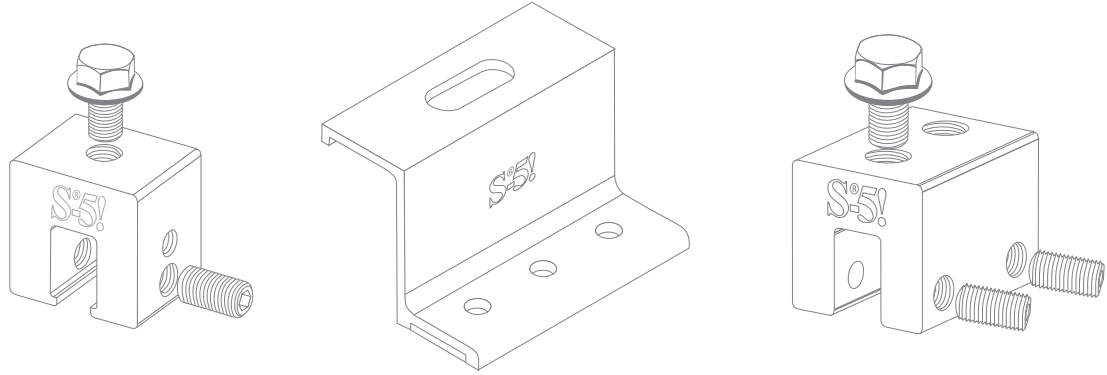
Attachment Solutions & Products

www.S-5.com | (888) 825-3432



Utility Attachments and Applications

S-5! Attachment Products



Attachment of rooftop ancillary items has always been difficult and often the source of leaks and maintenance problems until S-5!. Thanks to our patented round-point setscrews, S-5! clamps will not pierce the metal roof paneling, or violate system warranties!

Metal standing seam products represent the "state-of-the-art" in roofing alternatives today, offering service life and dependability measured in decades. S-5! clamps complement these roofs by providing a dependable way to attach things without jeopardizing the integrity of the roof system.

Our broad line of aluminum and brass attachment products are extremely versatile, fitting most standing seam and exposed-fastened metal roof profiles, including most structural and architectural profiles.

Our clamps and brackets have been laboratory tested on a variety of seam types, profiles, and materials to determine ultimate tensile failure loads. These test results are available at www.S-5.com or through your S-5! distributor.

The S-5! mini clamps have incredible holding strength, providing exceptional value and performance for the most common applications. Having one setscrew rather than two, the mini clamps are the right choice for attaching all kinds of rooftop accessories.

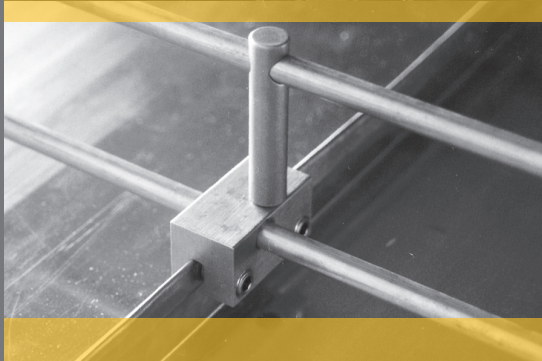
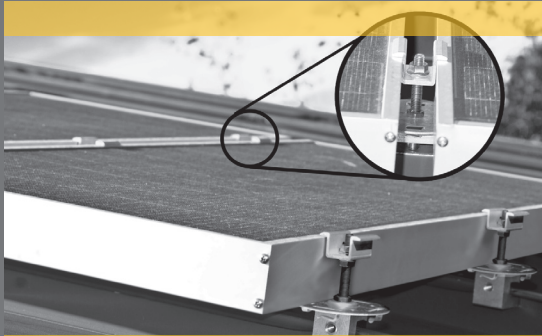
Their versatile, simple design and ample size make the original S-5! clamps so strong they are perfect for snow retention products and all other heavy-duty applications.



Attachment Solutions & Products

S-5!® Products

The S-5!® clamps and brackets are extraordinarily versatile and allow you to attach almost anything to standing seam, exposed-fastened, and corrugated metal roof profiles.



S-5-PV Kit Solar Attachment

Around the globe, the concept of combining photovoltaic arrays with standing seam metal roofing is growing – and for good reasons. A standing seam metal roof has a life expectancy consistent with that of PV modules. A 30-year power source, on a 40-year roof, along with S-5!'s zero-penetration technology creates the most sustainable roof system available coupled with alternative power generation!

ColorGard® Snow Retention

The only snow retention system warranted for the life of the roof.* Designed and engineered on a site-specific basis, ColorGard™'s unsurpassed holding strength controls snow migration with a perfect color match that lasts the life of the roof – plus the same penetration-free easy installation of all S-5! products.

ColorGard has greater holding strength, better aesthetics, longer service life, and lower installed cost than any other engineered system on the market!

* See Optional Limited Lifetime Warranty information, check out our ColorGard Calculator, view load test results, and more at www.S-5.com.

SnoRail™ and SnoFence™

Architects and roof designers agree: the clean lines, cylindrical shapes, and high-tech look of our SnoRail™ and SnoFence™ systems present attractive functionality without cluttering the lines of standing seam metal roofs. Systems are available in aluminum for common roof material types, as well as brass for use on copper standing seam roofs.





Countless Applications

Attach Almost Anything to Metal Roofs



Attach solar panels, snow retention and wind performance systems, signs, banners, light fixtures, gas piping, stack and flue bracing, antennas, roof walkways, HVAC equipment, fascias, lightning protection systems, equipment screens, conduit, condensate lines, and more – all without violating the integrity of the roof or the roof's warranties!

Wind Protection and Performance Systems

S-5!® WindClamp applications dramatically improve roof system wind uplift performance. In many cases, the patented S-5! WindClamp can double wind resistance, preventing multiple modes of failure, including clip disengagement (when used at a clip location).

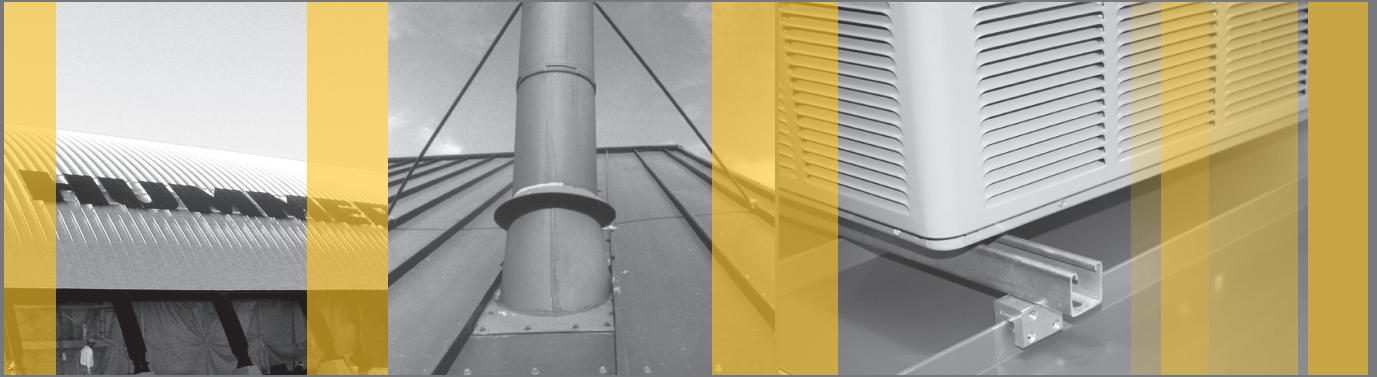
Satellite Dishes

Satellite dishes and antennas can be installed securely, quickly, and easily without penetrating the roofing material with our S-5! mini clamps.

HVAC and Rooftop Equipment

S-5! clamps allow HVAC, ductwork, and rooftop equipment to be mounted to metal roofs without piercing the roof panels, while still ensuring proper drainage of moisture and debris. Usual mounting methods, such as wood blocking, voids roof warranties by trapping moisture against the panel surface. Use of S-5! clamps ensures equipment will not migrate from its intended location, will not obstruct drainage, and can operate efficiently without violating the roof warranty.

Attachment Applications



Signs and Banners

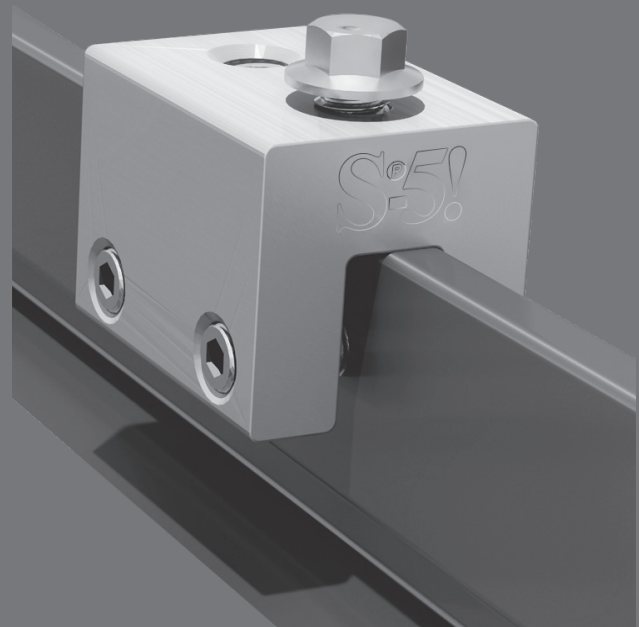
With S-5!® clamps, signs and banners are securely mounted with no holes in the roof panels, no leaks, and no problem when the next tenant moves in. Temporary advertising and information banners are easily installed and taken back down without damage to the panels and without violating the roof warranty.

Pipes and Conduits

Piping, electrical conduits, condensate lines, and equipment can now be mounted to metal roofs. S-5! clamps offer the perfect attachment solution without unsightly and corrosive wood blocking, harsh and messy sealants, or warranty-voiding holes.

And Everything Else...

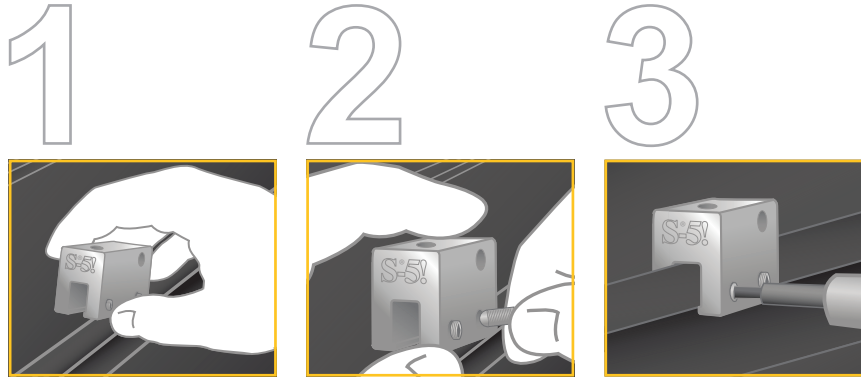
Roof walkways, lightning protection, light fixtures, fascias, downspouts, and dormers – even holiday and rooftop lighting can all be durably and cost-effectively mounted. Safely and easily attach almost anything to metal roofs, permanently or temporarily, with S-5! attachment solutions.





The S-5!® Family of Products

Installation is Easy



The S-5!® family of clamps attach to the panel seam by inserting and tightening one setscrew for mini clamps or two setscrews for original clamps, always on the same side of the clamp. These setscrews will slightly dimple the seam material, but they will not tear or pierce it. This provides a sound mechanical attachment that will not deteriorate with age.

Go to www.S-5.com/tools for complete installation instructions, information, and tools available for properly attaching and tensioning S-5! clamps.

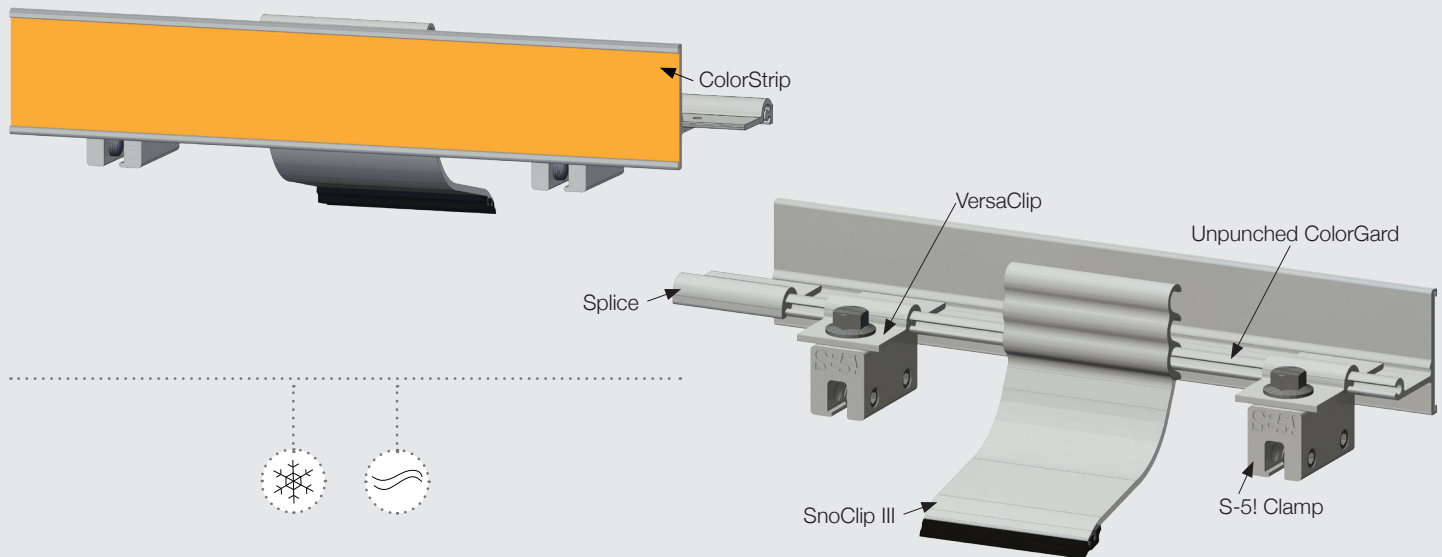
Our patented clamps offer durability and reliability unequaled by adhesives that degrade over time with heat cycles, UV radiation, and ozone. Don't be misled – one size does not fit all roofs! Each clamp style has been laboratory tested on a variety of seam types, profiles, and materials to determine ultimate tensile failure loads parallel and perpendicular to the panel seam. These test results are available at www.S-5.com.

S-5! clamps are designed to have maximum holding strength, while protecting the roof's weather-tightness and manufacturer's warranty!



Attachment Solutions & Products

S-5!® Snow Retention Systems

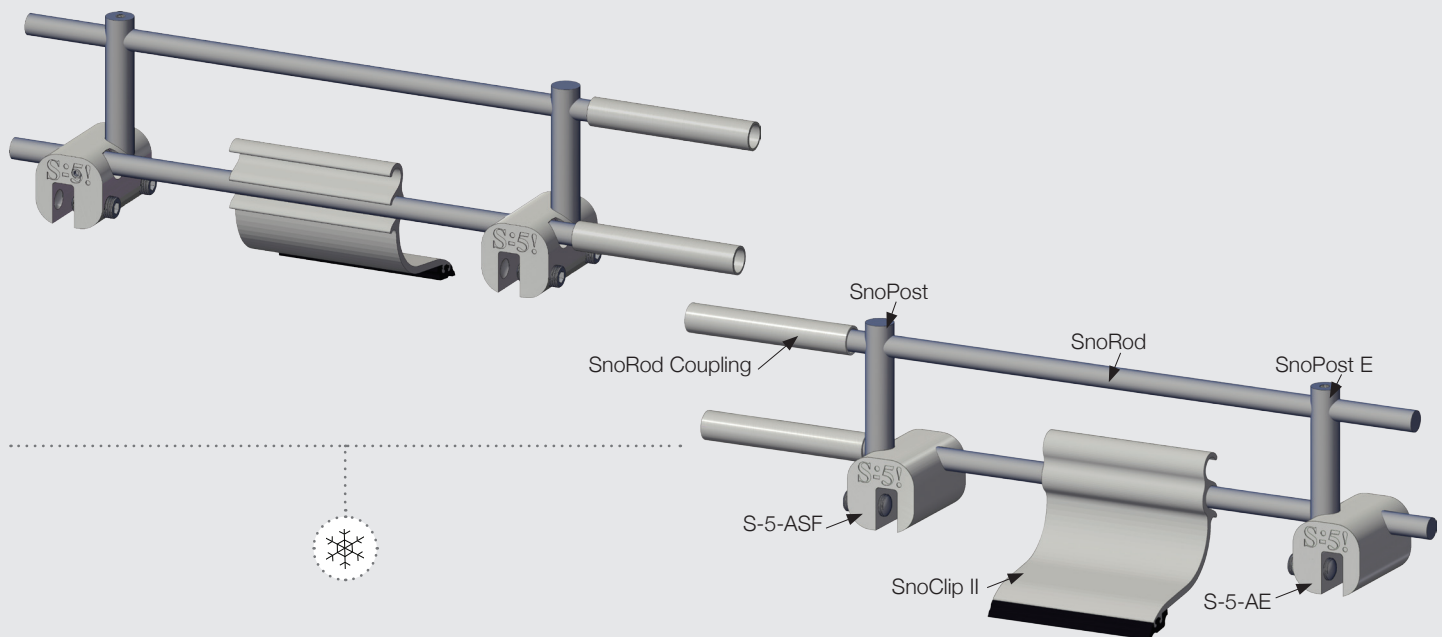


ColorGuard®

ColorGuard® dramatically reduces the risks associated with rooftop avalanches and maintains the clean colorful appearance of the roof with perfect color and finish matching, which lasts as long as the roof itself! ColorGuard is the only snow retention system designed and engineered on a site-specific basis; guaranteed to perform, to not damage the roof or finish, and to exactly match the roof color — for the entire life of the roof.*

* See Optional Limited Lifetime Warranty information, check out our ColorGuard Calculator, view load test results and more at www.S-5.com.

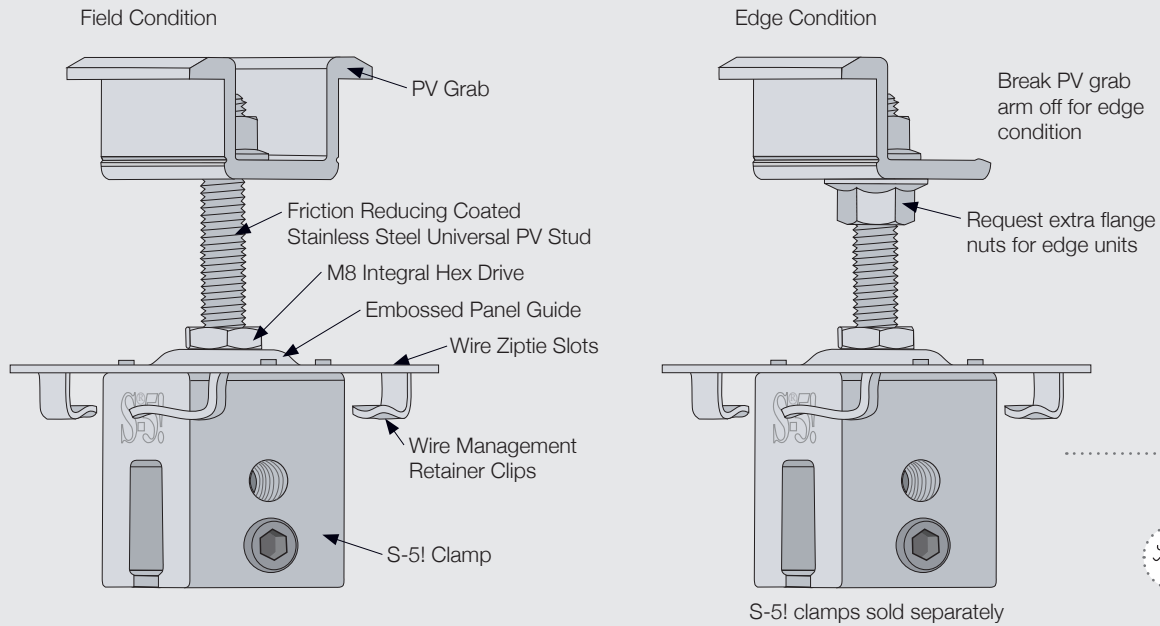
Pieces and products sold separately



SnoRail™ and SnoFence™

Architects and roof designers agree: the clean lines, cylindrical shapes and high-tech look of our SnoRail™ and SnoFence™ systems present attractive functionality without cluttering the lines of standing seam metal roofs. Systems are available in aluminum for common roof material types, as well as brass for use on copper standing seam roofs.

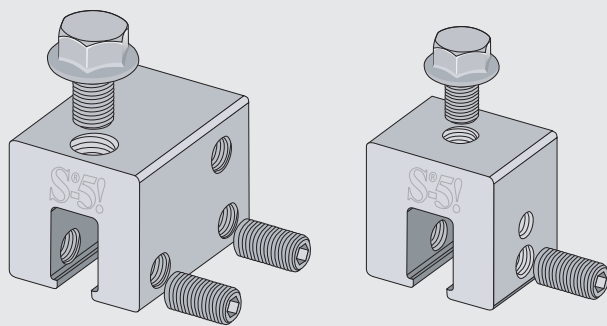
Pieces and products sold separately



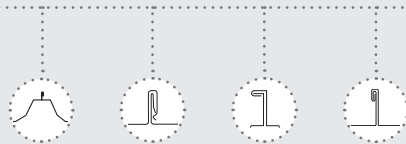
S-5-PV Kit

The S-5-PV Kit is designed specifically to secure framed photovoltaic modules to standing seam metal roof systems without penetrating the roof's surface, without the use of a rail or violating the roof's warranty. The kit fits the majority of solar panels and metal roofs on the market — including exposed-fastened and corrugated profiles using the S-5! VersaBracket™ and CorruBracket™.

S-5![®] Clamps

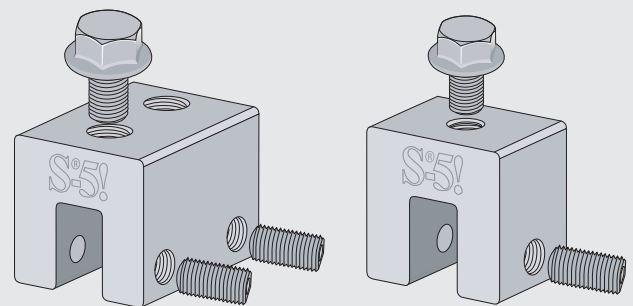


Mini

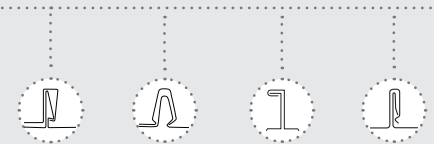


S-5-U

The S-5-U is by far our most popular and most versatile clamp. It fits about 85% of the standing seam profiles manufactured in North America — including most structural and many popular architectural profiles. The S-5-U can be used on vertically oriented seams and, by rotating the clamp 90°, it can also be used on most horizontal 2" seam profiles.



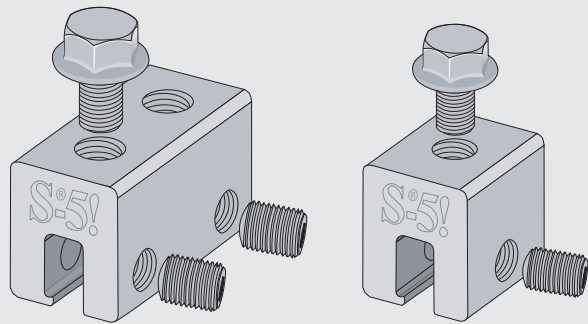
Mini



S-5-S

The S-5-S clamp is an extraordinarily versatile clamp. It was created especially for popular snap-together profiles — including residential profiles such as Taylor Metal's Easy Lock™ Standing Seam, and the Firestone UC4. The S-5-S or S-5-S Mini can be used on horizontal seams under .540 inches to avoid field crimping the seam.

S-5!® Clamps

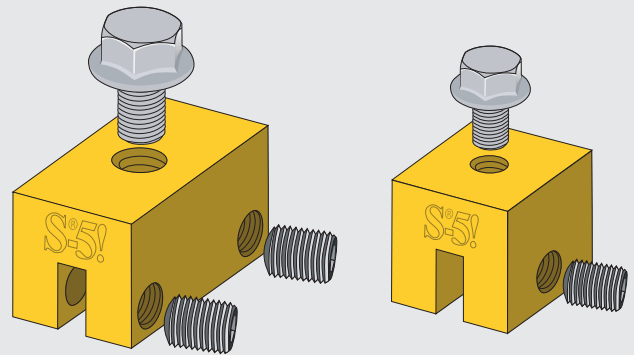


Mini



S-5-E

The S-5-E is designed especially for double-folded standing seam roofs that are so popular all over Europe (and in the U.S.). The S-5-E is a bit smaller and less expensive than the S-5-U, but every bit as strong. It also fits Butler's MR-24®.

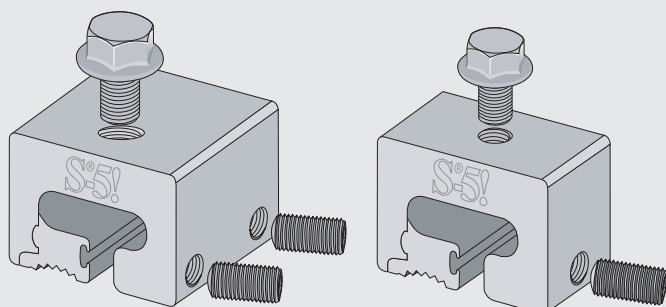


Mini



S-5-B

The S-5-B clamp allows architects to maintain the beautiful appearance of their copper roofing. The brass clamp fits either traditional standing or batten seams.

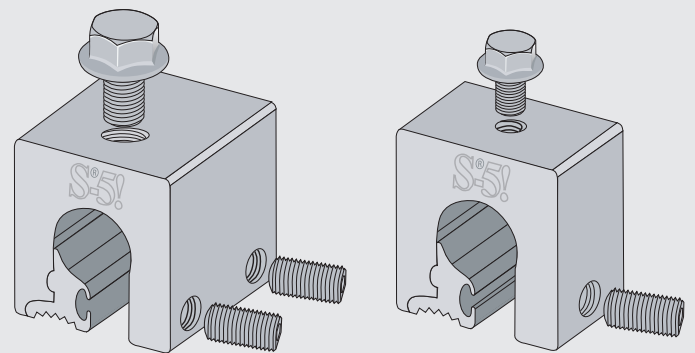


Mini



S-5-T

The S-5-T was specially developed to fit certain profiles having a "T" shaped seam configuration. Its two-piece design allows it to be easily installed anywhere along the length of the panel seam, and also works on architectural "angle-seam" or "single-folded" paneling.

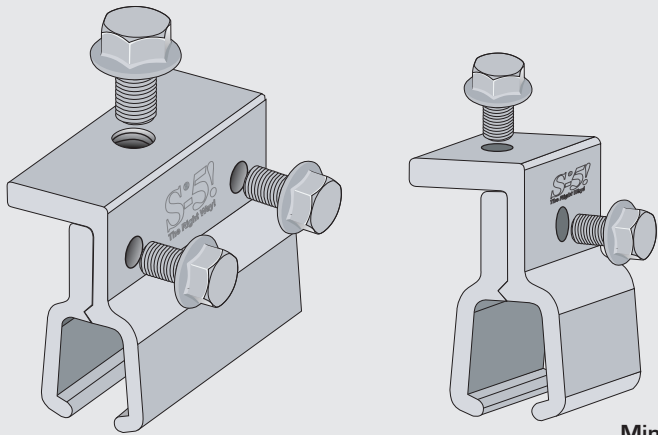


Mini



S-5-Z

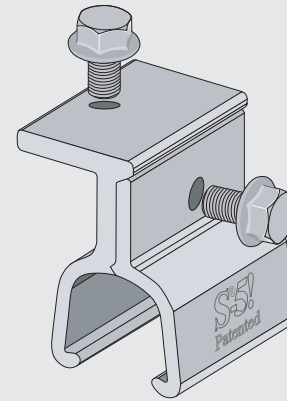
The S-5-Z clamp is specially designed to fit Zip-Rib®, Kalzip®, and similar profiles that have a round "bulb" seam configuration. Its two-piece clamp design allows it to be easily installed anywhere along the length of the rib.



Mini

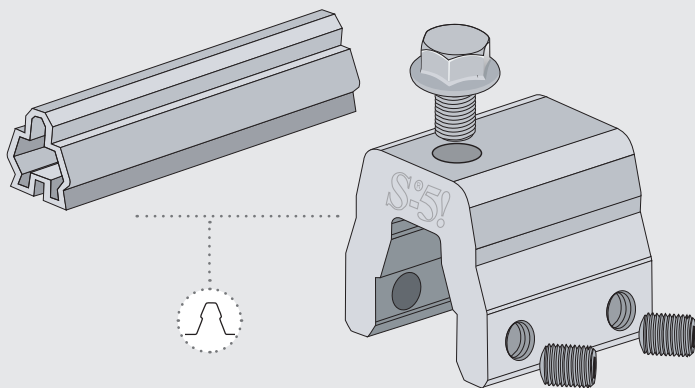
S-5-K

The S-5-K clamp is designed for use on Klip-Rib[®], Klip-Lok[®] and roofing types with similar profiles. Protect roof material and warranties while still attaching almost any rooftop accessory.



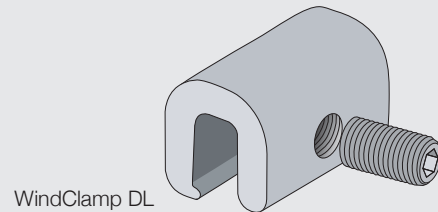
S-5-K700

The S-5-K700 clamp was designed with patented S-5![®] zero-penetration technology for application needs with the very distinctive roof profiles of Stramit Speed Deck Ultra[®], Lysaght Klip-Lok 700 Hi-Strength[®], Fielders KingKlip[®], and roofing types with similar profiles.

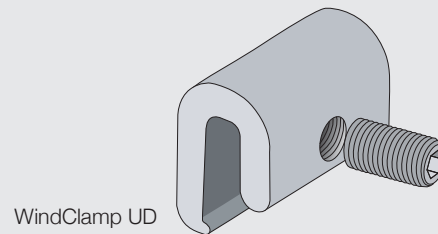


S-5-KHD

The S-5-KHD is the most heavy-duty and durable clamp in the S-5! family. Designed primarily for new construction, this clamp fits the very distinctive profiles of the Lysaght 406[®], McElroy Mirage, Metal Sales Clip Loc, and AEP-SPAN Klip-Rib[®]. This clamp features an insert that is placed on the intermediate rib for extra hold. Significantly stronger than anything else on the market for these profile types, this clamp is geared for snow retention systems and other heavy duty applications in new construction where holding strength is critical. Retrofit insert available.



WindClamp DL

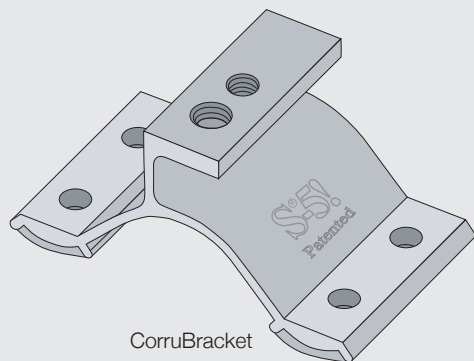


WindClamp UD

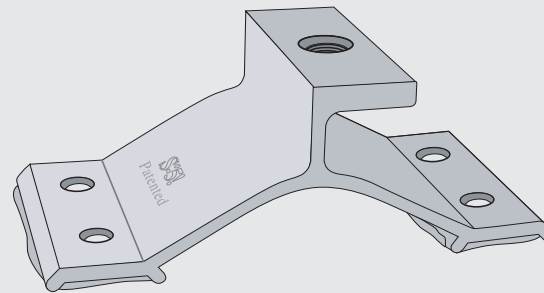
WindClamps

The WindClamp dramatically improves roof system wind uplift performance. In many cases, the patented S-5! WindClamp can double wind resistance, preventing multiple modes of failure, including clip disengagement (when used at a clip location).

S-5!® Brackets



CorruBracket



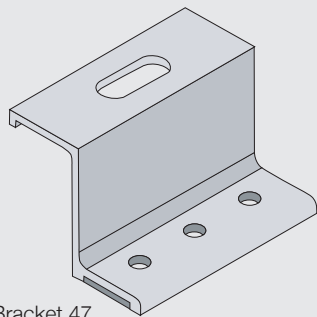
CorruBracket AU



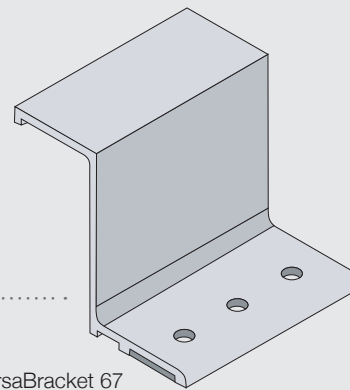
CorruBracket™ and CorruBracket AU™

The S-5!® CorruBracket™ can be used to mount almost anything to corrugated metal roofing, and is compatible with 7/8" and 3/4" U.S. designed corrugated profiles. No messy sealants to apply!

No chance for leaks! The CorruBracket comes with factory-applied butyl sealant already in the base, and the S-5! patented reservoir conceals the sealant from UV exposure, preventing drying and cracks.



VersaBracket 47



VersaBracket 67



VersaBracket 47™ and VersaBracket 67™

To accommodate various rib heights, VersaBracket™ comes in two heights – the 1.86" VersaBracket-47 and the 2.65" VersaBracket-67. The punched VersaBracket-47 offers various mounting face configurations. The VersaBracket-67 mounting face has no holes or slots, thus ancillary items are typically secured using self-tapping screws. VersaBracket can be used to mount almost anything to an

exposed-fastened roof system and is compatible with almost any trapezoidal exposed-fastened profile. No messy sealants to apply! No chance for leaks! The VersaBracket comes with factory-applied butyl sealant already in the base, and the S-5! patented reservoir conceals the sealant from UV exposure, preventing drying and cracks.

S-5![®]

The Right Way!

ATTACH ALMOST **ANYTHING** TO METAL ROOFS!



www.S-5.com | (888) 825-3432

S-5! Warning! Please use this product responsibly!

Products are protected by multiple U.S. and foreign patents. Visit the website at www.S-5.com for complete information on patents and trademarks. For maximum holding strength, setscrews should be tensioned and re-tensioned as the seam material compresses. Clamp setscrew tension should be verified using a calibrated torque wrench between 160 and 180 inch pounds when used on 22ga steel and between 130 and 150 inch pounds for all other metals and thinner gauges of steel. Consult the S-5! website at www.S-5.com for published data regarding holding strength.

Copyright © 2011, Metal Roof Innovations, Ltd. S-5! products are patented by Metal Roof Innovations, Ltd.

S-5! aggressively protects its patents, trademarks and copyrights.

Distributed by: